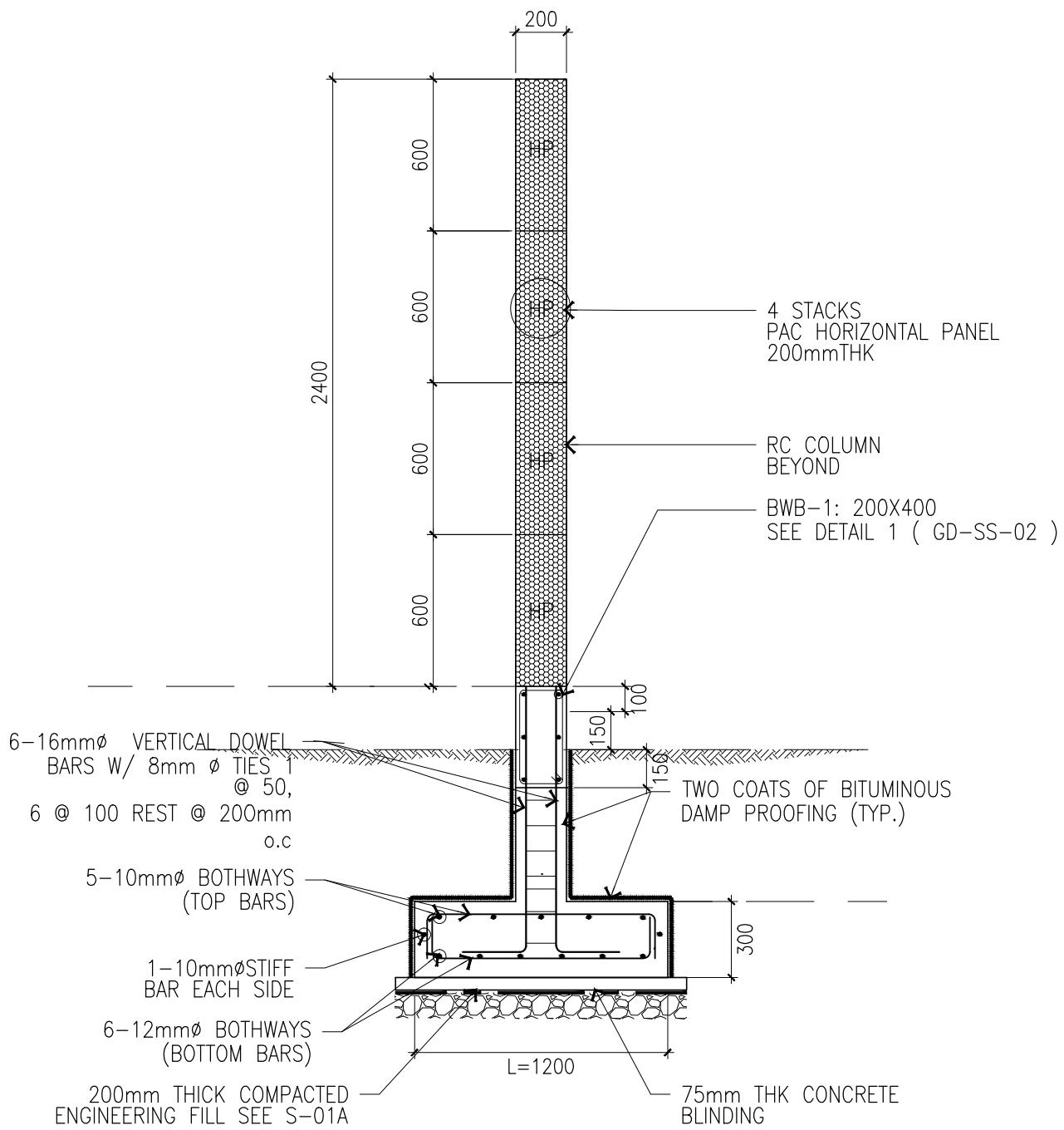


**1 BWF-1 DETAIL PLAN**  
SCALE 1:25



**2 DETAIL SECTION (BWF-1) TYP.**  
SCALE 1:25



Title:

**BOUNDARY WALL DETAIL 1**

**ENGINEERING DIVISION**

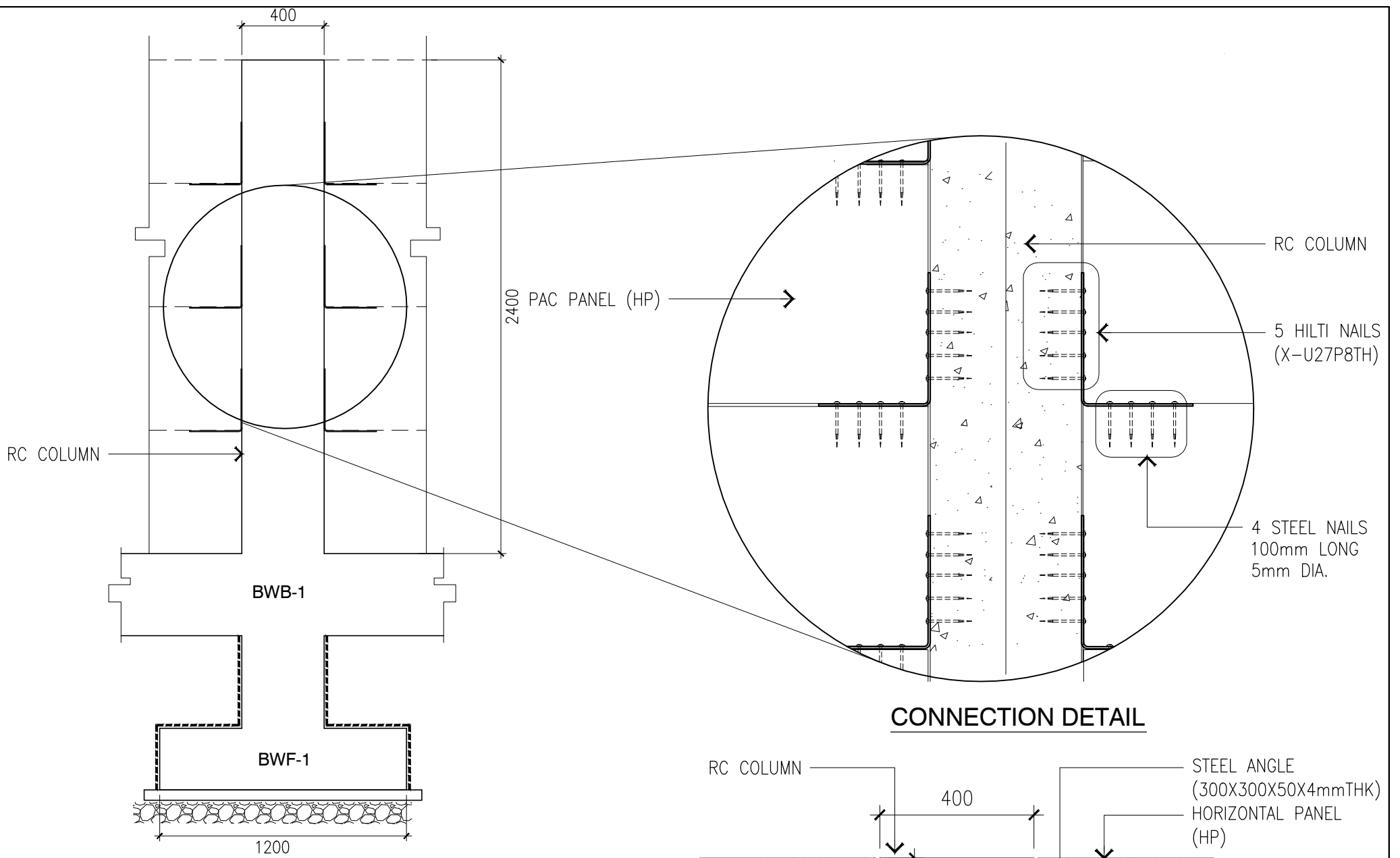
Date: DEC.2016

Scale: N.T.S

Detail No. EBWD-1

TEL No: +966 13 863 1111 FAX No: +966 13 863 2222  
2833 St. 49th ( St. 67th x St. 166th ) 2nd industrial City  
Dammam 34324 - 7333 Saudi Arabia

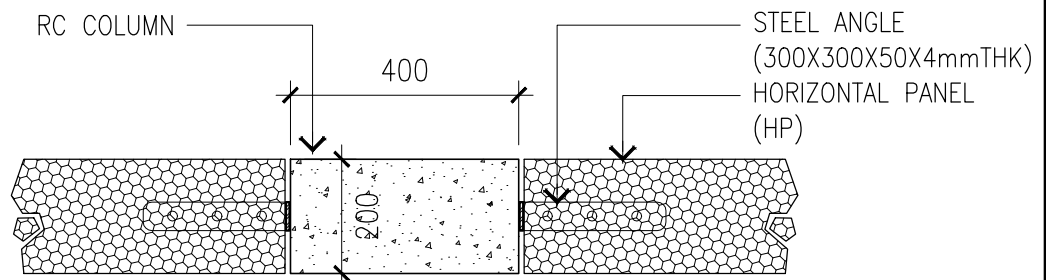
This drawing must be read in conjunction with all the ESPAC Structural Floor Panels Design Guide



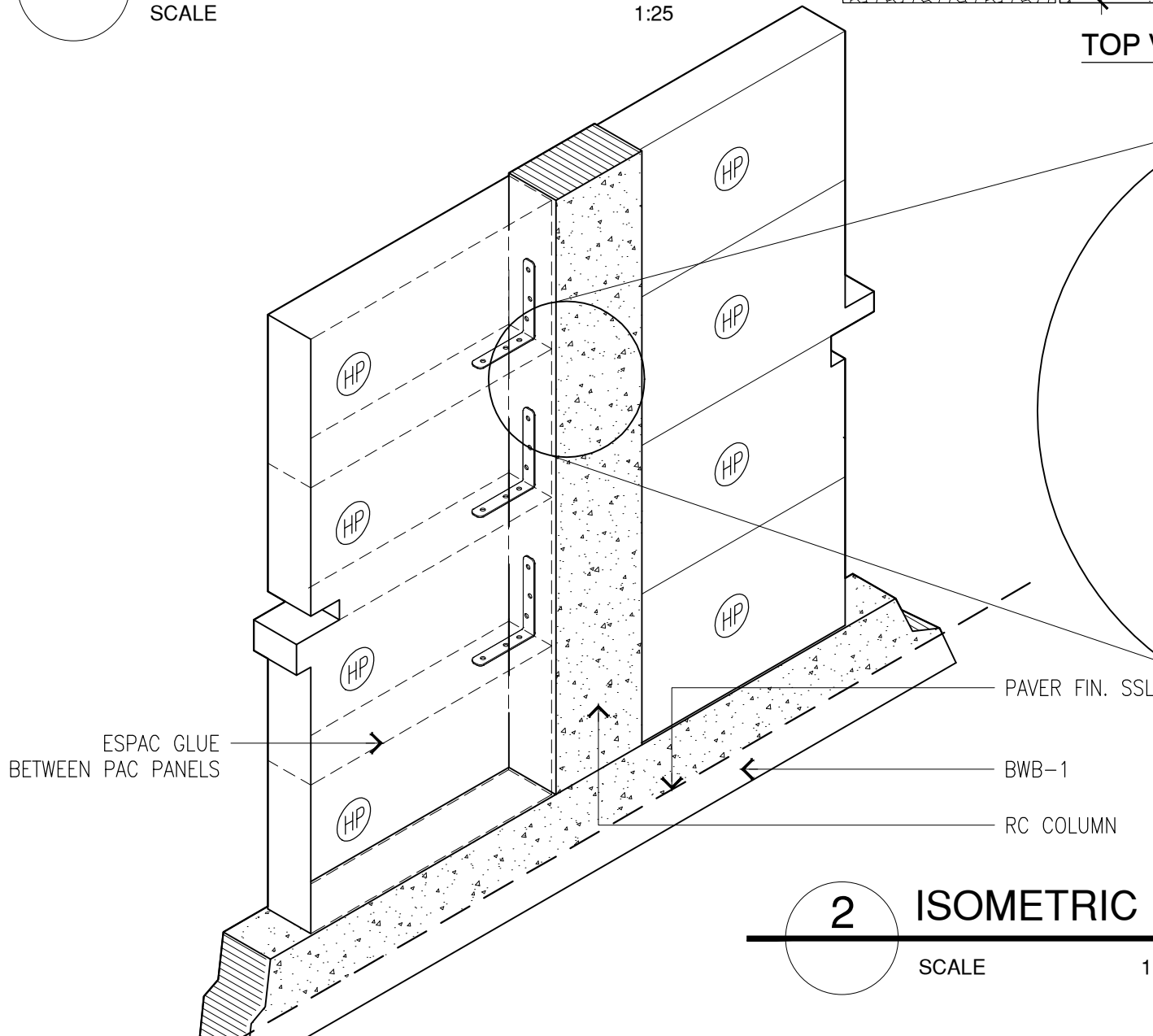
**1 TYPICAL WALL ELEVATION**

SCALE

1:25



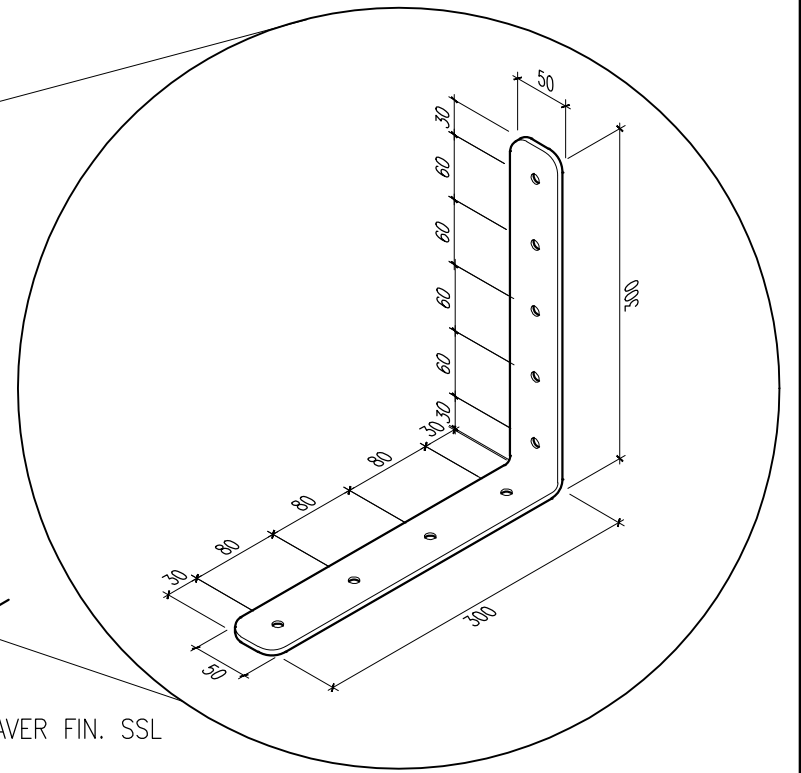
**TOP VIEW**



**2 ISOMETRIC**

SCALE

1:25



**STEEL ANGLE  
DETAIL  
300X300X50X4mmTHK**



Title:

**BOUNDARY WALL DETAIL 2**

**ENGINEERING DIVISION**

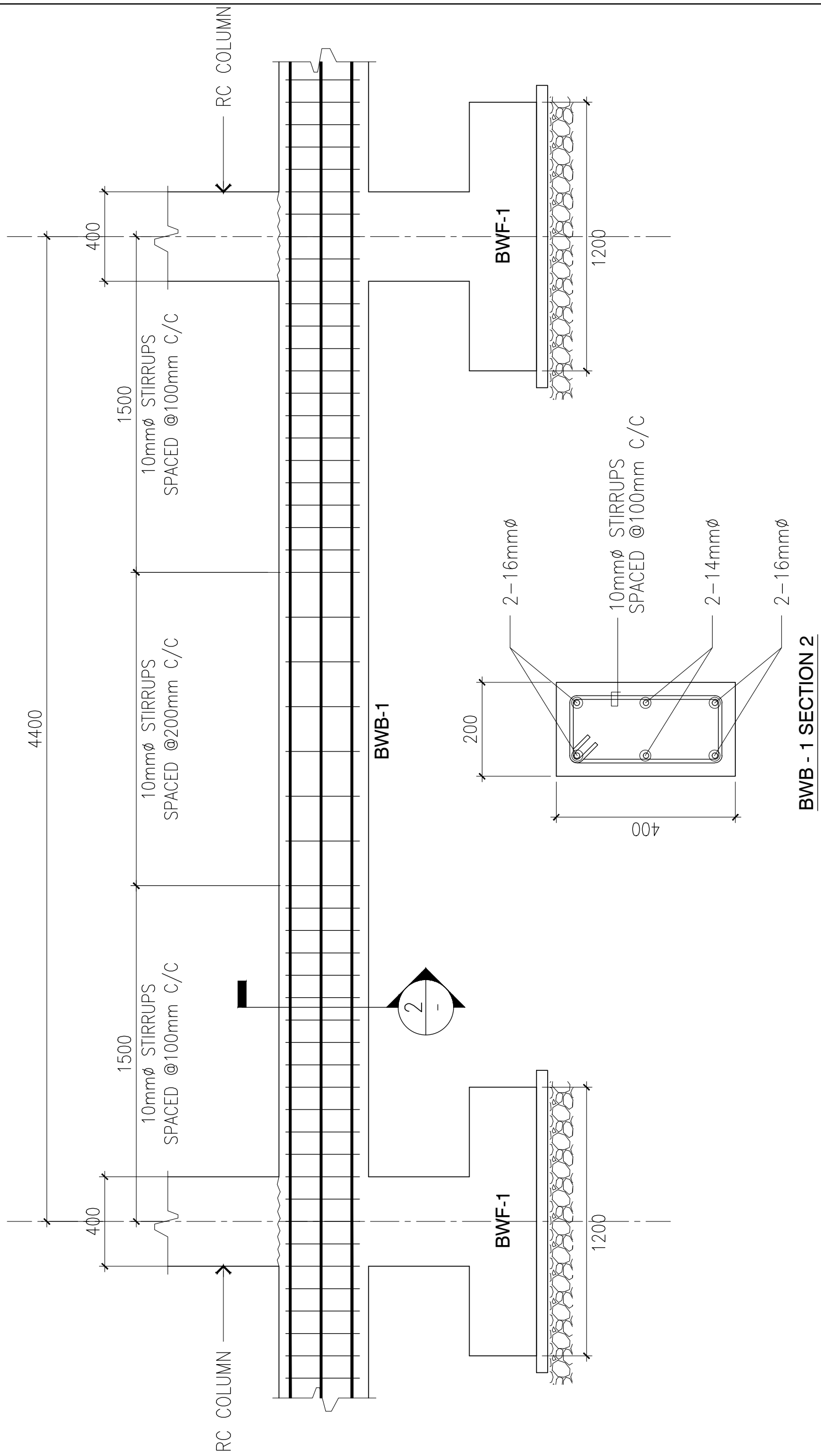
Date: DEC.2016

Scale: N.T.S

Detail No. EBWD-2

TEL No: +966 13 863 1111 FAX No: +966 13 863 2222  
2833 St. 49th ( St. 67th x St. 166th ) 2nd industrial City  
Dammam 34324 - 7333 Saudi Arabia

This drawing must be read in conjunction with all the ESPAC Structural Floor Panels Design Guide



**1** TIE BEAM FOR BOUNDARY WALL DETAIL  
SCALE 1:20



Title: **TIE BEAM FOR BOUNDARY WALL DETAIL**

**ENGINEERING DIVISION**

Date: DEC.2016

Scale: N.T.S

Detail No. EBWD-3

TEL No: +966 13 863 1111 FAX No: +966 13 863 2222  
2833 St. 49th ( St. 67th x St. 166th ) 2nd industrial City  
Dammam 34324 - 7333 Saudi Arabia

This drawing must be read in conjunction with all the ESPAC Structural Floor Panels Design Guide