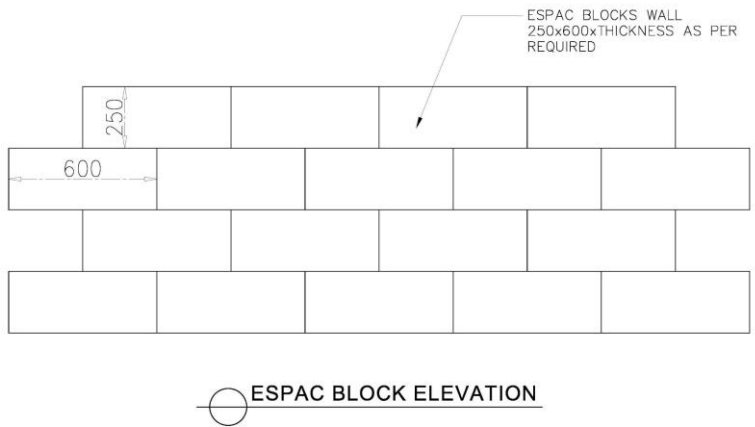
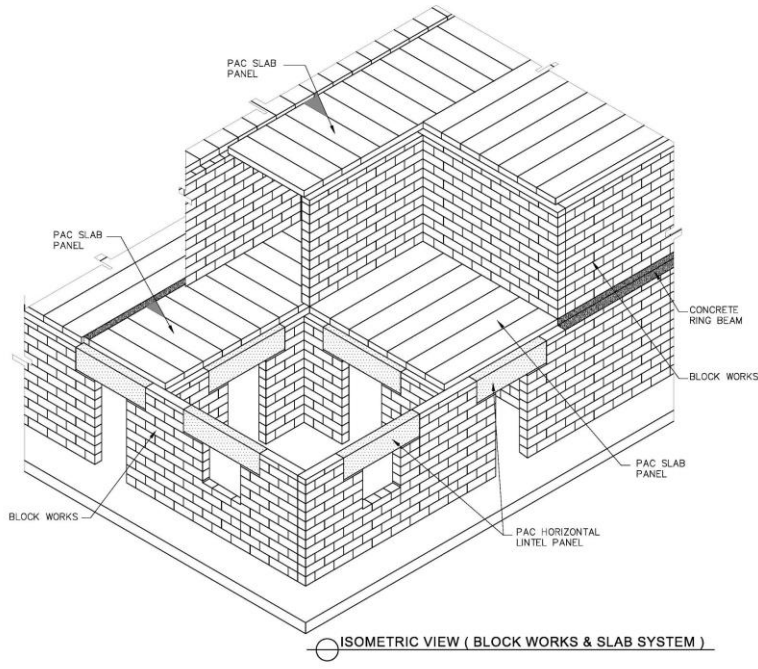
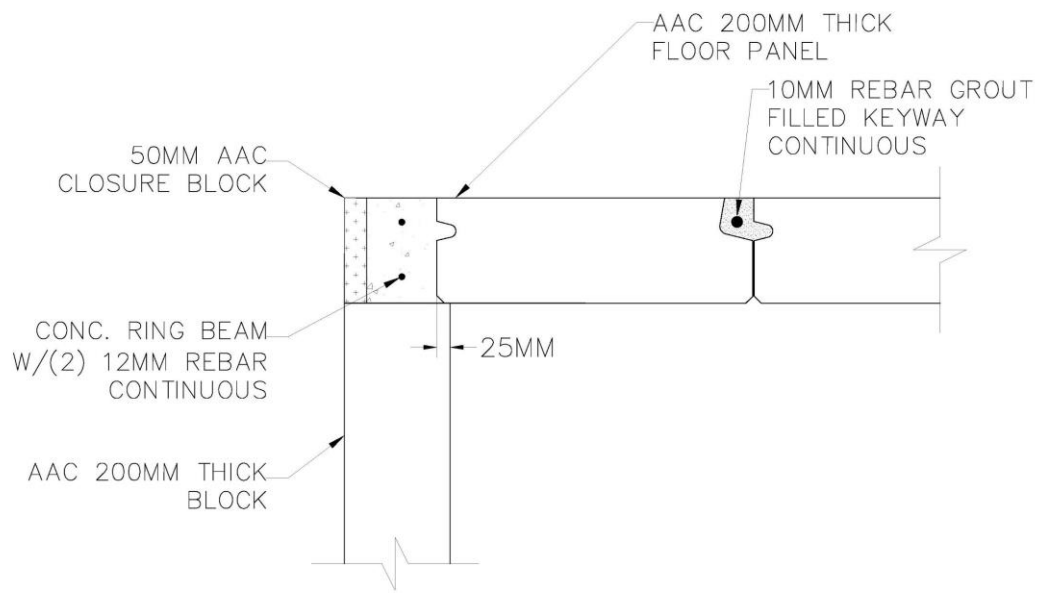
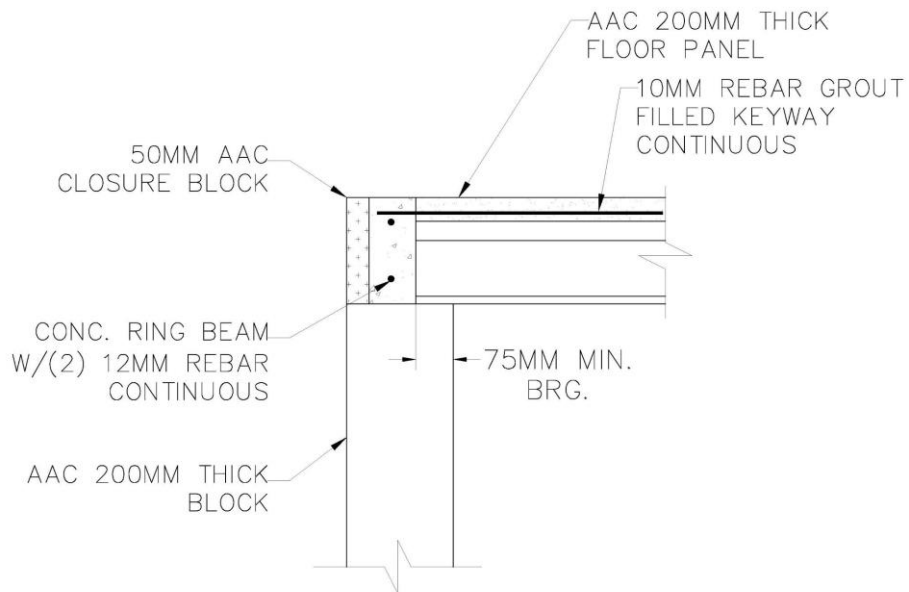


BLOCK FULL SYSTEM

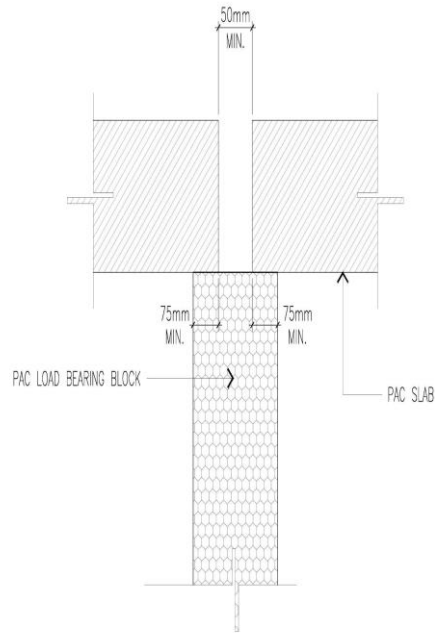




CONCRETE RING BEAM



CONCRETE RING BEAM



PAC SLAB CONNECTION DETAIL
ABOVE PAC LOAD BEARING BLOCK